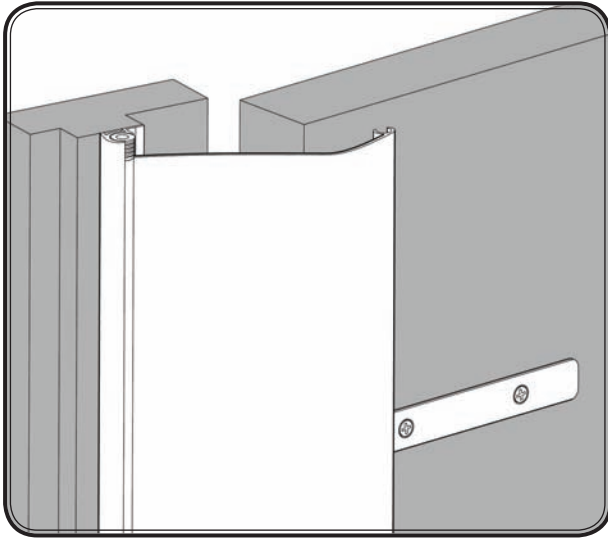




IMPORTANT: product should operate quietly. If excessive noise is heard after installation - see pages 2-4.

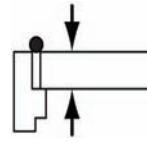
Safehinge ALUfast

Installation Instructions (FAST G2 / G3)



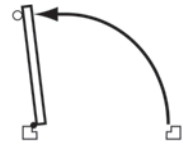
Designed for :

Door thickness



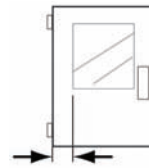
54 mm max

Opening angle



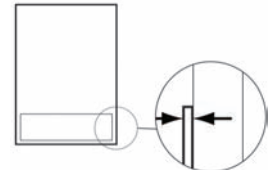
100° max

Clear width

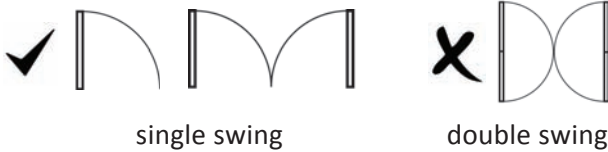


150 mm min

Kickplate



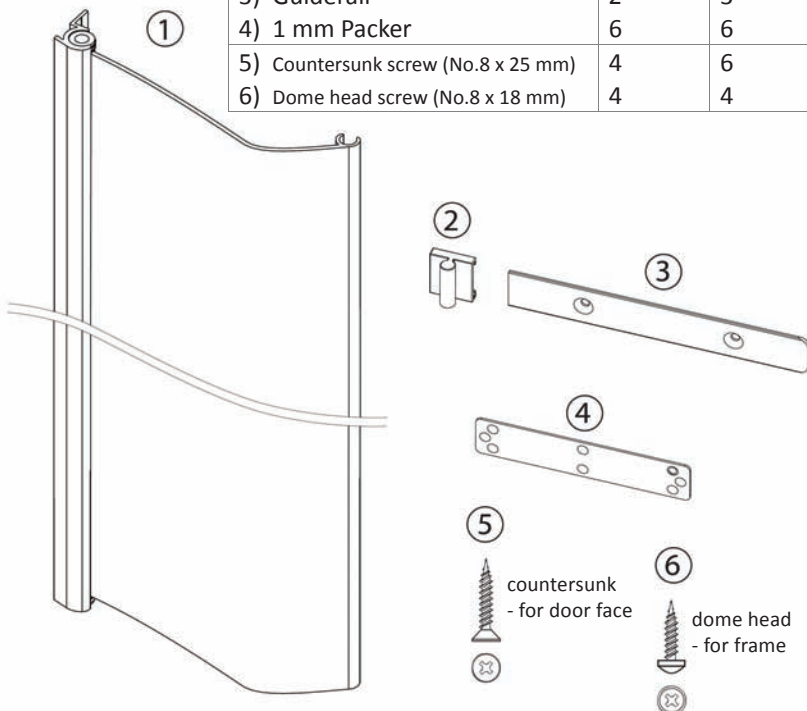
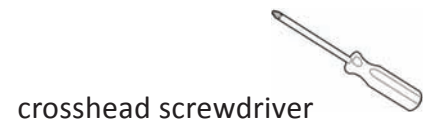
3 mm max



Parts list

	FAST G2	FAST G3	FAST G2-1925	FAST G3-1925
1) ALUfast assembly	1	1	1	1
2) Connector	2	3	2	3
3) Guiderail	2	3	2	3
4) 1 mm Packer	6	6	6	6
5) Countersunk screw (No.8 x 25 mm)	4	6	4	6
6) Dome head screw (No.8 x 18 mm)	4	4	5	5

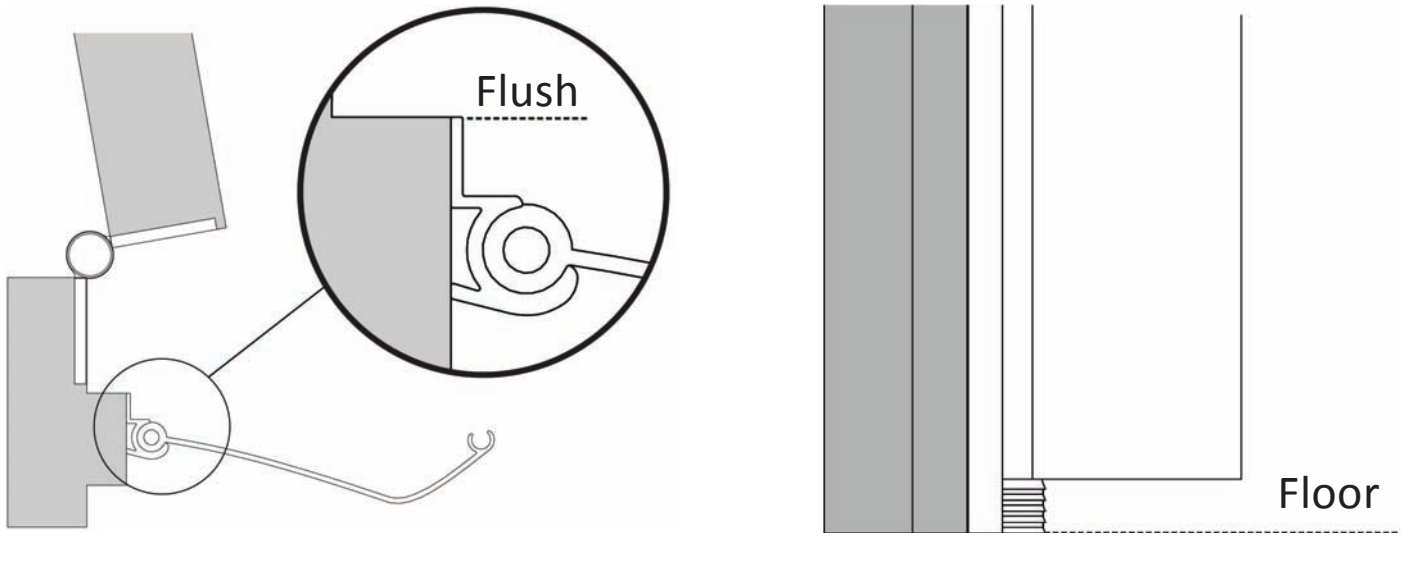
Tools required



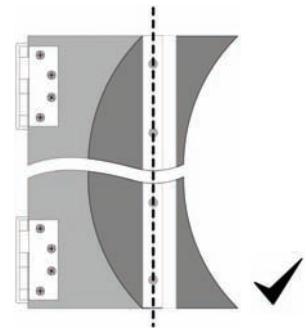
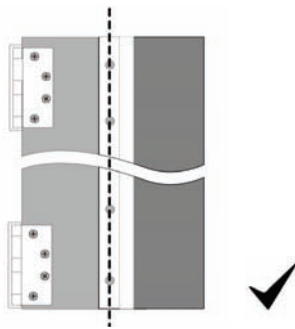
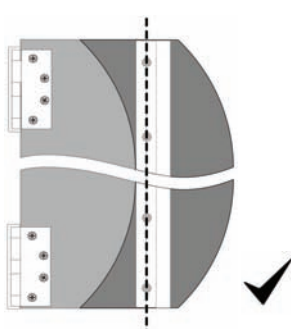
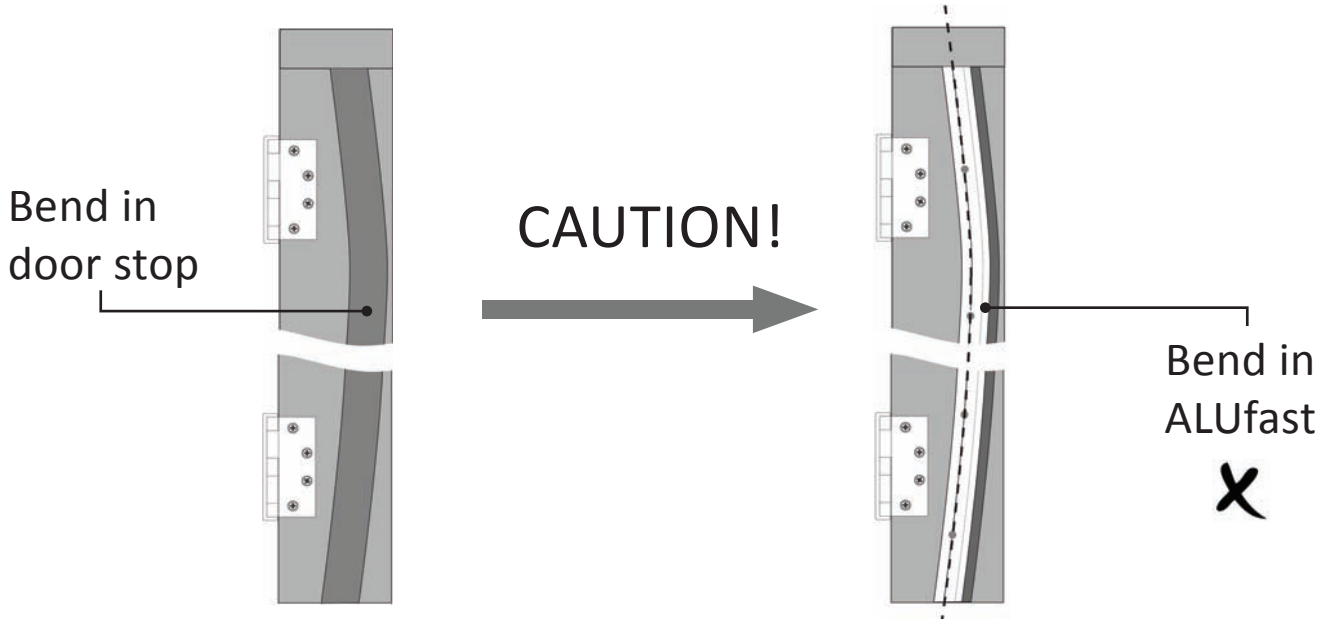
Safehinge Ltd
The Hub Glasgow G51 1EA

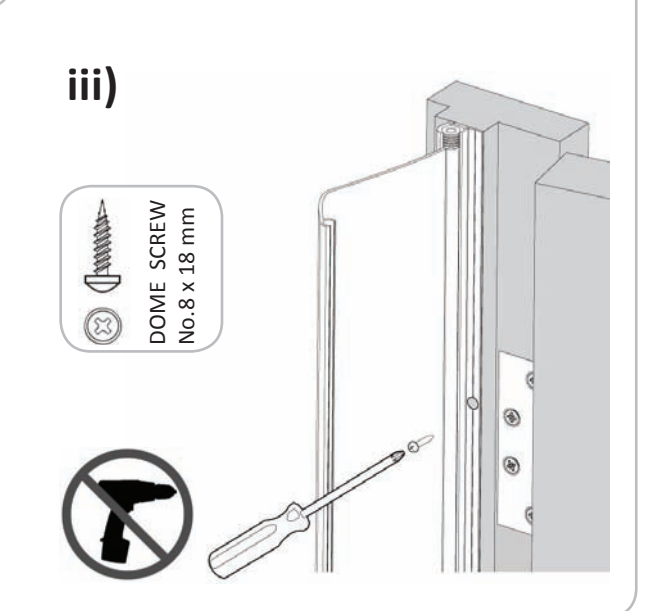
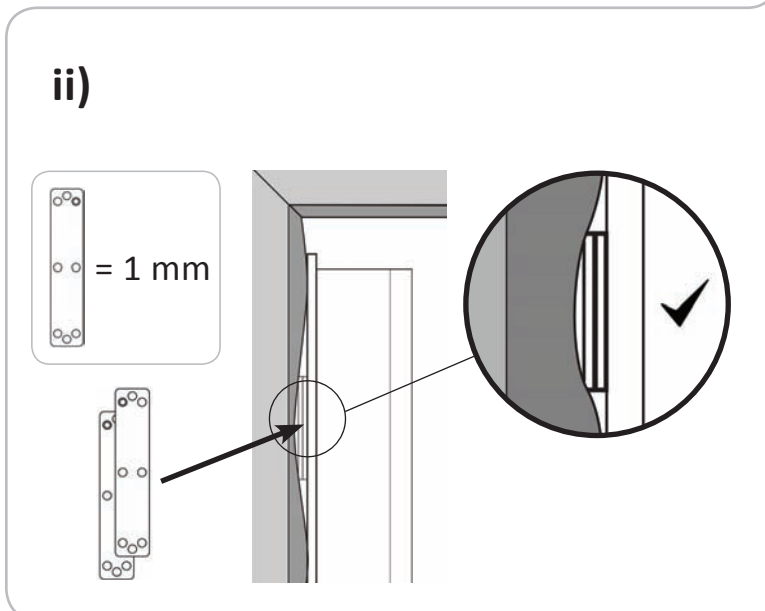
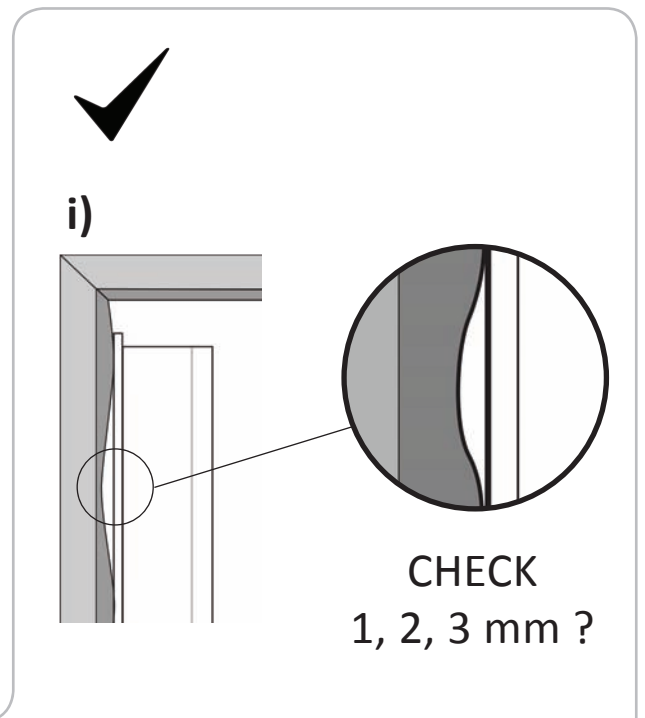
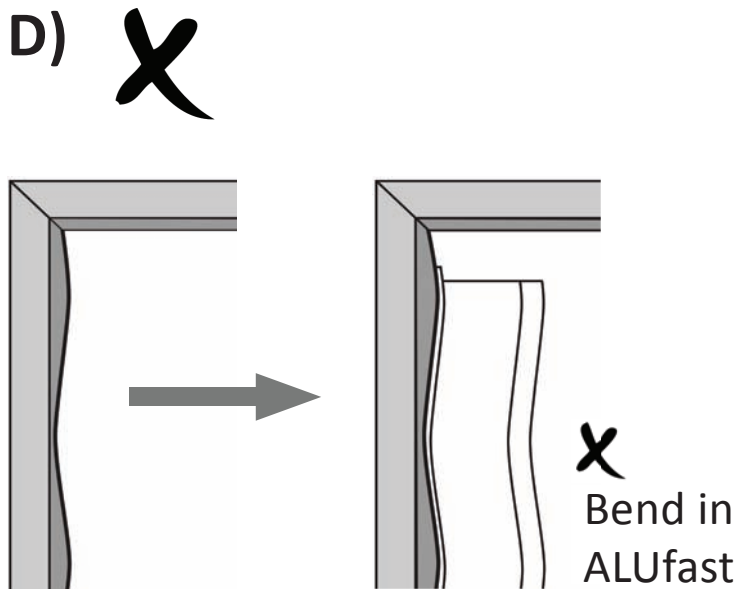
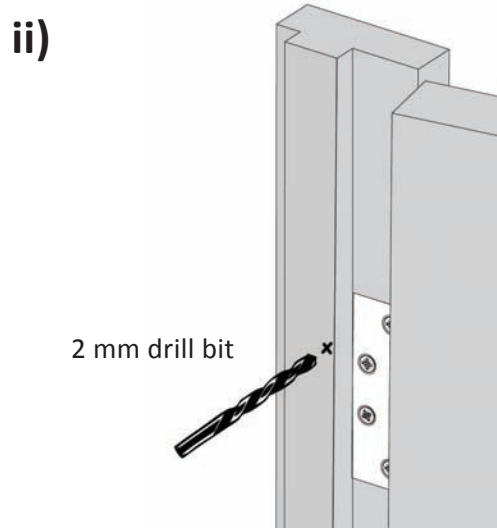
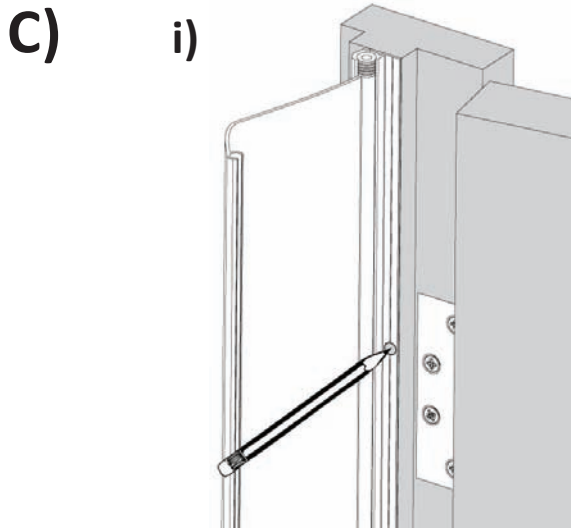
T: + 44 (0) 141 244 0085
F: + 44 (0) 560 342 6439
E: info@safehinge.com
W: www.safehinge.com

A)

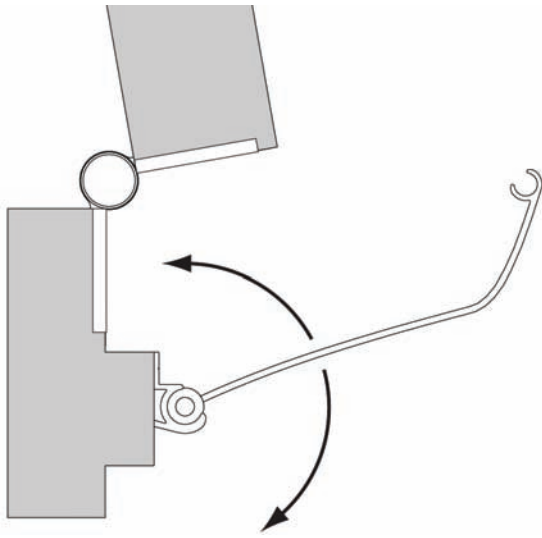


B) X

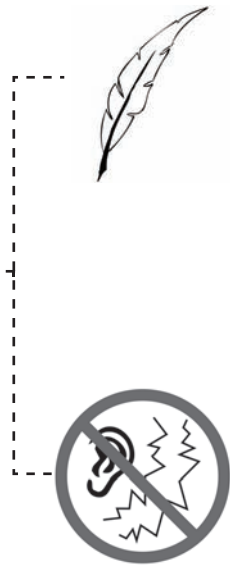




E)



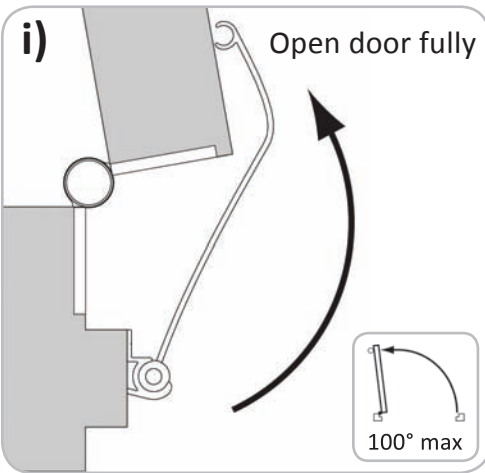
TEST



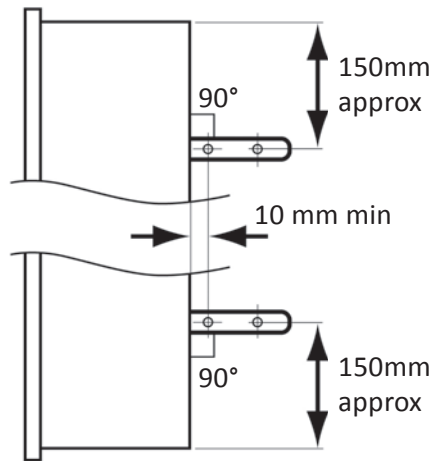
smooth
free moving
quiet
-> Step F

noise
tightness
scraping
-> Step B

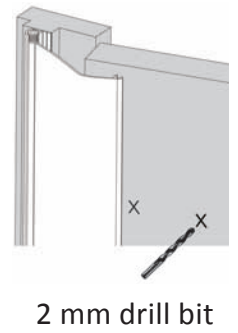
F)



ii)

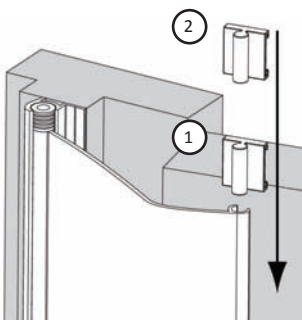


iii)

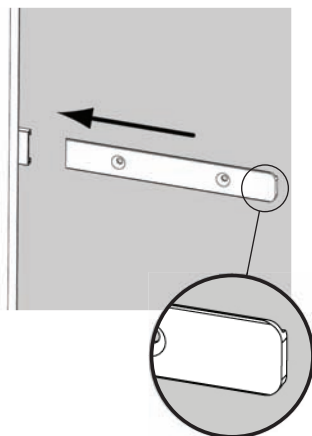


G)

i)



ii)



rounded end
out

iii)

